



Bi-Fold Door Hardware greenteQ

Image courtesy of Climatec Windows Ltd

Clearspan

greenteQ Clearspan allows specifiers to design, and door manufacturers to build, slimline bi-fold doors with minimal visible hardware.

The roller assemblies and hinges are fixed into the door rebates rather than face-fixed to the sash and frame, with only the hinge knuckles showing when the door is closed. The rollers and guides run in top and bottom tracks which are neatly encapsulated within the frame. Brushes on the roller assembly clear away any dust or dirt that gathers in the track to ensure a smooth sliding operation.

Perfect operation is further aided by the 5mm vertical adjustment provided through the roller.

Clearspan hardware is available in various finishes, depending on which system is used.

greenteQ Clearspan hardware suits all common bi-fold layouts (330, 321, 431 etc) and can carry individual sash weights up to 120Kg.

greenteQ Clearspan hardware is designed with the end user, the installer and manufacturer in mind. Therefore, the rollers and hinges are configured to fit each profile system specifically. This means that the parts locate on the door with no or minimal routing, depending on the profile.

Clearspan has been tested at BSI to the PAS24 security standard. Installations using our PAS24 spec can be demonstrated as being compliant to Building Control Document Q. Clearspan is also covered under our comprehensive Q-secure hardware guarantee.

greenteQ Clearspan is covered by the greenteQ 10 year guarantee.

Benefits at a glance:

- Slimline design as hardware is fixed into door rebates rather than surface fit
- Only hinge knuckles visible when closed
- Suitable for inward and outward opening doors with same hardware
- 120Kg sash weight
- 5mm vertical adjustment
- Integrated brushes clear dirt from bottom track
- No, or minimal, routing depending on profile
- All common schemes can be accommodated

Bi-Fold Door Hardware Clearspan Hardware for System S1000

10
Years

greenteQ

Top Guide and Bottom Roller



Description	White RAL9016	Black RAL9005	Anth.Grey RAL7016	Box Qty
Top Guide	4QBF1001	4QBF1002	4QBF1003	10
Bottom Roller	4QBF1031	4QBF1032	4QBF1033	10
Security Clamp Plate Set*	4QBF1086	4QBF1086	4QBF1086	100

Hinge



Description	White RAL9016	Black RAL9005	Anth.Grey RAL7016	Box Qty
Hinge	4QBF1061	4QBF1062	4QBF1063	50
Security Clamp Plate Set*	4QBF1086	4QBF1086	4QBF1086	100

Hinge with Pull Handle



Description	White RAL9016	Black RAL9005	Anth.Grey RAL7016	Black/PVD Gold	Black/Pol. Chrome	Black/Sat. Chrome	Anth.Grey/ Sat.Chrome	Anth.Grey/ Pol.Chrome	Box Qty
Hinge with Pull	4QBF1071	4QBF1072	4QBF1077	4QBF1073	4QBF1074	4QBF1075	4QBF1067	4QBF1068	25

Top Guide and Bottom Roller Half Set



Description	White RAL9016	Black RAL9005	Anth.Grey RAL7016	Box Qty
Top Guide	4QBF1011	4QBF1012	4QBF1013	10
Bottom Roller	4QBF1041	4QBF1042	4QBF1043	10

Half Pull Handle



Description	White RAL9016	Black RAL9005	Anth.Grey RAL7016	Box Qty
Half Pull Handle	4QBF1091	4QBF1092	4QBF1097	25

Bi-Fold Door Lock Clearspan Hardware for System S1000

Lock Kit for System S1000 Bi-Fold Door

Our Lock Kit for System S1000 bi-fold doors features a top quality Yale door lock. It is the ideal partner for Clearspan bi-fold door hardware.

The 28mm backset lock provides effective locking and compression through a latch and central deadbolt, 2 hooks, 2 linear bolts and 2 adjustable roller cams.

The one piece striker plate speeds up the fitting process and provides a strong locking connection. Perfect compression is ensured by 9 profile related under packers.

Ordering is simple as the lock, striker plate and packers are all supplied as a Yale Lock Kit under a single part number.

The correct handing is determined as follows;

LH Kit = LEFT hand hung OUTWARD or RIGHT hand hung INWARD opening door viewed from outside

RH Kit = RIGHT hand hung OUTWARD or LEFT hand hung INWARD opening door viewed from outside

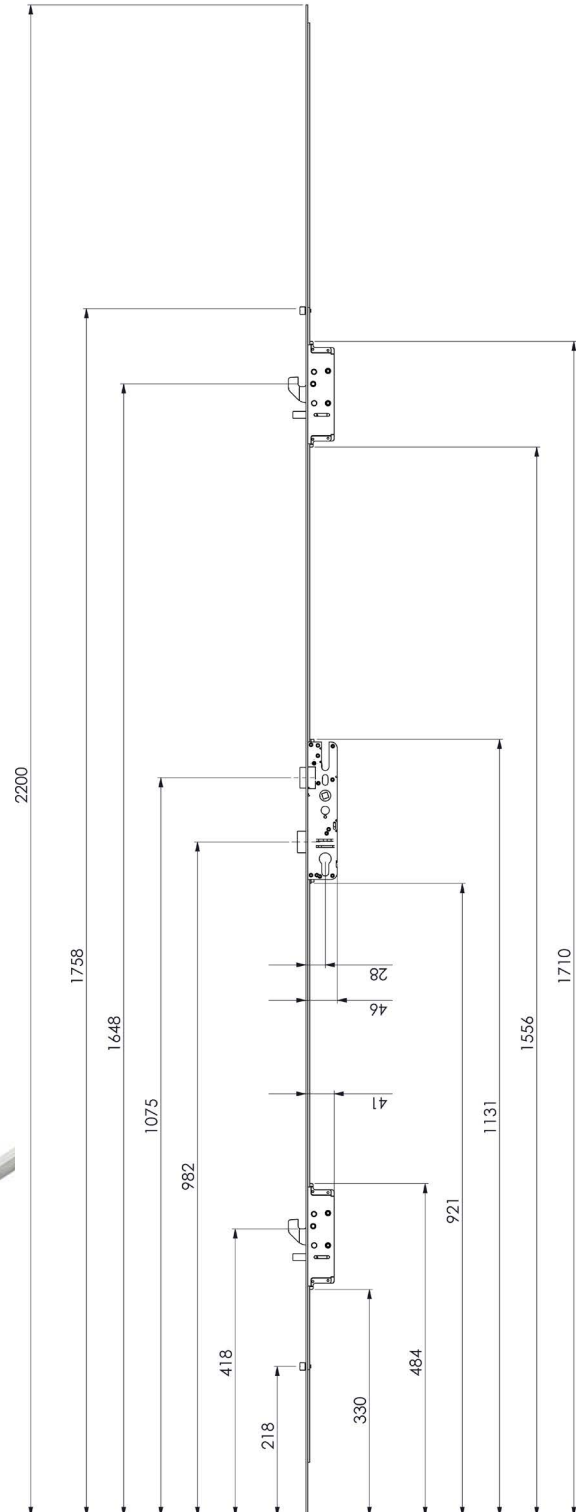
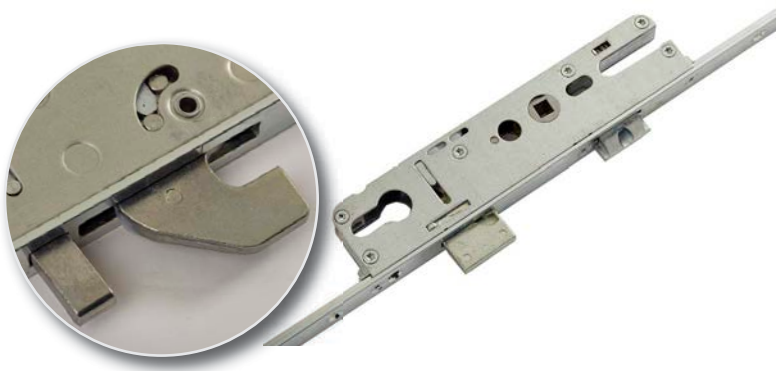
Benefits at a glance:

- Hooks and compression cams provide security and smooth closing
- Hook/linear bolt combination locking points provide excellent security
- Benefits from strong Yale branding
- One piece striker plate speeds up fitting time
- Perfect partner for Clearspan bi-fold hardware
- Easy ordering with just one part number

Description	VBH Code	Box Qty
LH Lock Kit	4QBF1023	1
RH Lock Kit	4QBF1024	1

Note: These lock kits must be used on increased security Clearspan Bi-Fold Doors

They are also recommended for standard Bi-Fold Doors.



Bi-Fold Door Lock Clearspan Hardware for System S1000

10
Years

greenteQ

Lock Kit for System S1000 Bi-Fold Chicane Doors

Our Lock Kit for System S1000 Chicane bi-fold doors features a top quality Yale door lock. It is an ideal partner for Clearspan bi-fold door hardware.

The 28mm backset lock provides effective locking and compression through a latch and central deadbolt, 2 hooks and 2 adjustable roller cams.

The one piece striker plate speeds up the fitting process and provides a strong locking connection. Perfect compression is ensured by 9 profile related under packers.

Ordering is simple as the lock, striker plate and packers are all supplied as a Yale Lock Kit under a single part number.

The correct handing is determined as follows;

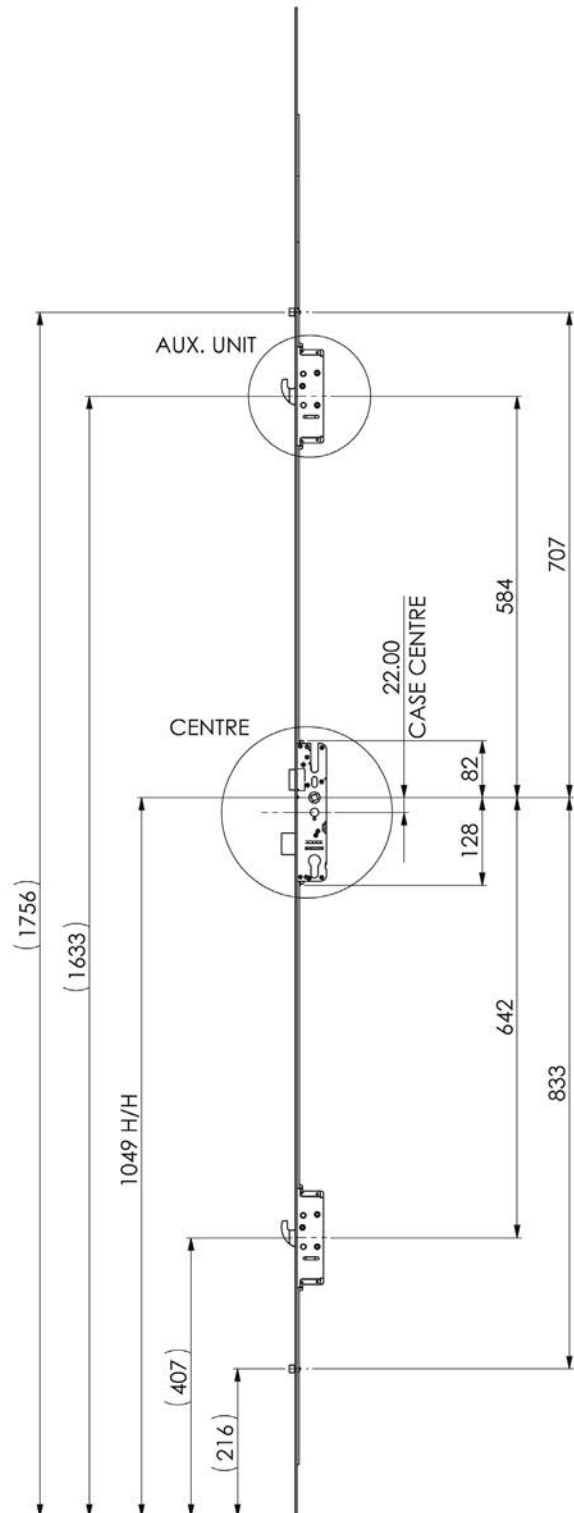
LH Kit = LEFT hand hung OUTWARD or RIGHT hand hung INWARD opening door viewed from outside

RH Kit = RIGHT hand hung OUTWARD or LEFT hand hung INWARD opening door viewed from outside

Benefits at a glance:

- Hooks and compression cams provide security and smooth closing
- Hook bolt locking points provide excellent security
- Benefits from strong Yale branding
- One piece striker plate speeds up fitting time
- Perfect partner for Clearspan bi-fold hardware on Chicane Doors
- Easy ordering with just one part number

Description	VBH Code	Box Qty
LH Lock Kit	4QBF1019	1
RH Lock Kit	4QBF1020	1



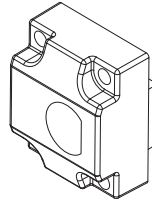
Bi-Fold Door Hardware Clearspan Hardware for System S1000

10
Years

greenteQ

Clearspan Intermediate Lock for System S1000

Standard & PAS24 locking systems for intermediate meeting points
Robust gearbox is covered by attractive black Q-branded cover
Shootbolt ends are pre-assembled onto strong 8mm threaded rod
Shootbolt end is tapered for smooth lead-in
24mm bolt throw



Standard Option

Description	VBH Code	Box Qty
Intermediate Gearbox	4QBF1051	24
Intermediate Gearbox Cover (Black)	4QBF1052	100
1300mm Shootbolt Rod Assembly	4QBF1054	100
Shootbolt End Guide Standard	4QBF1053*	100
Shootbolt End Guide Slim	4QBF1059*	100

One set comprises 1 x gearbox, 1 x gearbox cover, 2 end guides and 2 shootbolt rods



Increased Security Option (DV23/DV26 only)

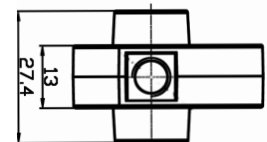
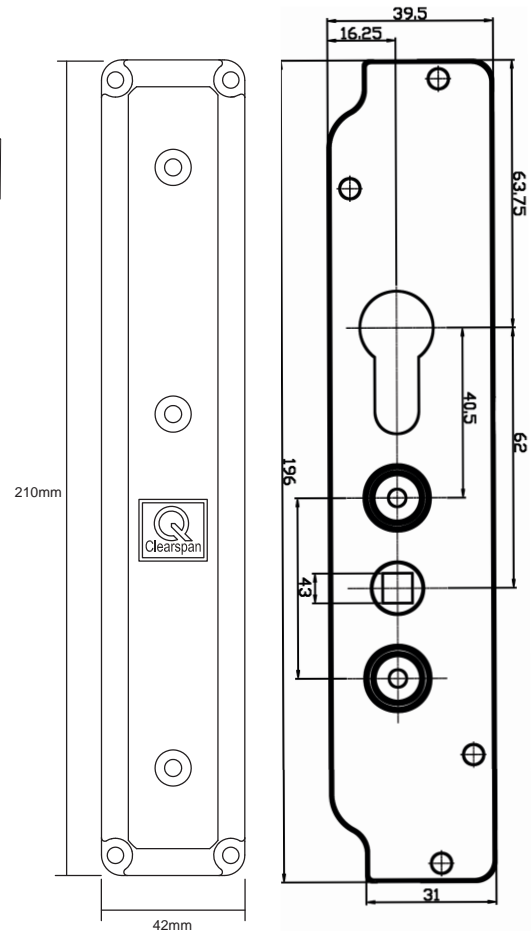
Description	VBH Code	Box Qty
Intermediate Gearbox	4QBF1051	24
Intermediate Gearbox Cover (Black)	4QBF1052	100
1300mm Shootbolt Rod Assembly	4QBF1058	100
Shootbolt End Guide Standard	4QBF1053	100

One set comprises 1 x gearbox, 1 x gearbox cover, 2 end guides and 2 shootbolt rods

Intermediate Lock - Kits and Bulk

We also supply the Intermediate Lock System in kits and bulk quantities. By ordering using the codes below you will receive either 5 sets individually packed in kits, or enough components to gear 25 sashes.

Description	VBH Code	Unit Qty
Standard Individual Kit x 5	4QBF1025	5 Kits
Standard Bulk Packed Sets x 25	4QBF1026	25 Sets
PAS24 Security Individual Kit x 5	4QBF1027S	5 Kits
PAS24 Security Bulk Packed Sets x 25	4QBF1028S	25 Sets



*The end guide depends on which version of System S1000 is used as follows

DV23/DV26 use Standard 4QBF1053
DV28/DV27 use Slim 4QBF1059